



STB Seal

This flexible seal is used in water lubricated sterngear installations and has its own waterinlet. This seal also has a grease supply tip to lubricate the lipseal. The seal consists of a flexible rubber socket and a hose clamp. Including a tube of "stuffy grease" and a water inlet.

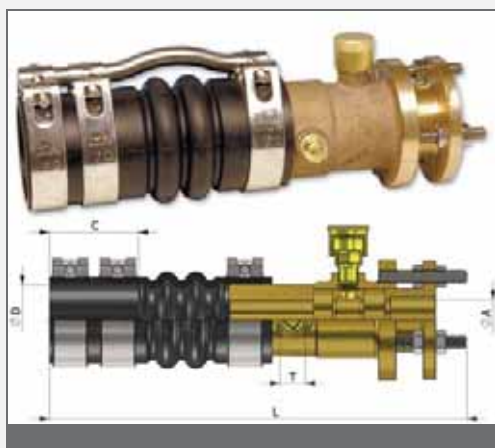
All dimensions in mm.

Ø A	Ø B	C	Cat. no.
25	42	60	STB25
30	48	60	STB30
35	54	70	STB35
40	60	70	STB40
45	64	80	STB45
50	70	80	STB50

Exalto Flexible stuffing boxes

The very solid flexible stuffing boxes are used on water lubricated sterngear installations. The rubber bellow allows axial and radial movement of the shaft. These flexible stuffing boxes are equipped with a torsional protection system. The stuffing box comes complete with a waterinlet, Stauffer grease cup, self lubricating Rameh packing and a packing pusher. The lantern ring inside ensures additional lubrication of the packing.

All dimensions in mm, other dimensions and imperial sizes on request.



Shaft diam.	D	S	L	Packing	W	Cat. no.
25	45	60	278	8.0	1/4"	60501
30	45	60	278	8.0	1/4"	60512
30	60	60	293	8.0	1/4"	60502
35	60	60	293	8.0	1/4"	60503
40	60	60	312	8.0	3/8"	60513
40	80	60	327	8.0	3/8"	60504
45	80	60	335	10.0	3/8"	60505
50	80	60	341	10.0	3/8"	60515
50	90	60	366	10.0	3/8"	60506
60	90	60	373	10.0	1/2"	60507
70	115	75	428	12.5	1/2"	60508
80	115	75	428	12.5	1/2"	60509
90	135	75	466	14.0	1/2"	60510
100	135	75	496	14.0	3/4"	60511

Water / grease lubricated

Exalto Bronze stuffing boxes

These bronze stuffing boxes are standard accessories and can be used on water lubricated and grease lubricated sterngear installations as well as rudder installations. Since this type of stuffing box is not flexible, a bearing directly behind the stuffing box is required. All stuffing boxes are supplied complete with lubricant inlet fittings, self lubricating Rameh packing and a packing pusher. On request, the Exalto stuffing boxes are also available in aluminium.

All dimensions in mm. Other dimensions and imperial sizes are available on request.

