



## STB Seal

This flexible seal is used in water lubricated sterngear installations and has its own waterinlet. This seal also has a grease supply tip to lubricate the lipseal. The seal consists of a flexible rubber socket and a hose clamp. Including a tube of "stuffy grease" and a water inlet.

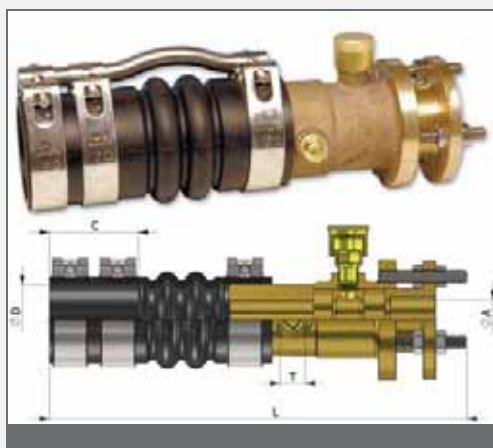
All dimensions in mm.

Ø A	Ø B	C	Cat. no.
25	42	60	STB25
30	48	60	STB30
35	54	70	STB35
40	60	70	STB40
45	64	80	STB45
50	70	80	STB50

## Exalto Flexible stuffing boxes

The very solid flexible stuffing boxes are used on water lubricated sterngear installations. The rubber bellow allows axial and radial movement of the shaft. These flexible stuffing boxes are equipped with a torsional protection system. The stuffing box comes complete with a waterinlet, Stauffer grease cup, self lubricating Rameh packing and a packing pusher. The lantern ring inside ensures additional lubrication of the packing.

All dimensions in mm, other dimensions and imperial sizes on request.



Shaft diam.	D	S	L	Packing	W	Cat. no.
25	45	60	278	8.0	1/4"	60501
30	45	60	278	8.0	1/4"	60512
30	60	60	293	8.0	1/4"	60502
35	60	60	293	8.0	1/4"	60503
40	60	60	312	8.0	3/8"	60513
40	80	60	327	8.0	3/8"	60504
45	80	60	335	10.0	3/8"	60505
50	80	60	341	10.0	3/8"	60515
50	90	60	366	10.0	3/8"	60506
60	90	60	373	10.0	1/2"	60507
70	115	75	428	12.5	1/2"	60508
80	115	75	428	12.5	1/2"	60509
90	135	75	466	14.0	1/2"	60510
100	135	75	496	14.0	3/4"	60511

## Water / grease lubricated

## Exalto Bronze stuffing boxes

These bronze stuffing boxes are standard accessories and can be used on water lubricated and grease lubricated sterngear installations as well as rudder installations. Since this type of stuffing box is not flexible, a bearing directly behind the stuffing box is required. All stuffing boxes are supplied complete with lubricant inlet fittings, self lubricating Rameh packing and a packing pusher. On request, the Exalto stuffing boxes are also available in aluminium.

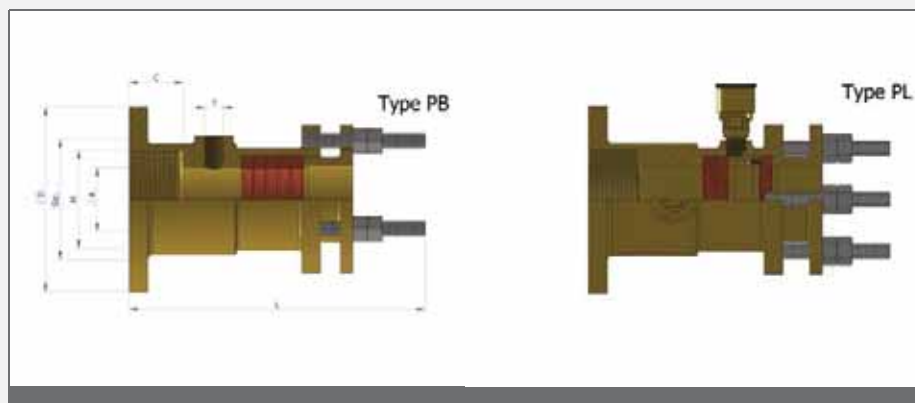
All dimensions in mm. Other dimensions and imperial sizes are available on request.



## Type PB (without lubricator) and PL (with lubricator)

With threaded rod, with flange

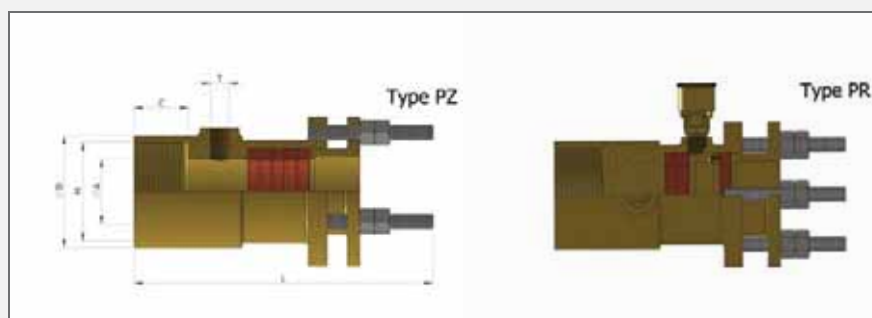
Shaft diam.	L	D	Pitch	M	S	W	Packing	Type PB Cat. no.	Type PL Cat. no.
25	163	110	85 - 3 x Ø11	M 48 x 1.5	25	1/4"	8.0	60005	60105
30	168	110	85 - 3 x Ø11	M 53 x 1.5	30	1/4"	8.0	60006	60106
35	168	120	95 - 4 x Ø11	M 58 x 1.5	30	1/4"	8.0	60007	60107
40	199	120	95 - 4 x Ø11	M 63 x 2.0	35	3/8"	8.0	60008	60108
45	207	150	125 - 6 x Ø11	M 75 x 2.0	35	3/8"	10.0	60009	60109
50	213	150	125 - 6 x Ø11	M 80 x 2.0	35	3/8"	10.0	60010	60110
60	218	175	145 - 6 x Ø13	M 90 x 2.0	40	1/2"	10.0	60012	60112
70	253	175	145 - 6 x Ø13	M100 x 2.0	40	1/2"	12.5	60013	60113
80	253	200	170 - 6 x Ø13	M110 x 2.0	40	1/2"	12.5	60014	60114
90	261	200	170 - 6 x Ø13	M120 x 2.0	40	1/2"	14.0	60015	60115
100	291	240	210 - 6 x Ø13	M140 x 3.0	45	3/4"	14.0	60016	60116
110	301	240	210 - 6 x Ø13	M150 x 3.0	45	3/4"	16.0	60017	60117
120	301	280	250 - 6 x Ø13	M170 x 3.0	45	3/4"	16.0	60040	60140



## Type PZ (without lubricator) and PR (with lubricator)

With threaded rod, without flange

Shaft diam.	L	B	M	S	W	Packing	Type PZ Cat. no.	Type PR Cat. no.
25	163	55	M 48 x 1.5	25	1/4"	8.0	60205	60305
30	168	60	M 53 x 1.5	30	1/4"	8.0	60206	60306
35	168	65	M 58 x 1.5	30	1/4"	8.0	60207	60307
40	199	72	M 63 x 2.0	35	3/8"	8.0	60208	60308
45	207	82	M 75 x 2.0	35	3/8"	10.0	60209	60309
50	213	95	M 80 x 2.0	35	3/8"	10.0	60210	60310
60	218	107	M 90 x 2.0	40	1/2"	10.0	60212	60312
70	253	117	M100 x 2.0	40	1/2"	12.5	60213	60313
80	253	131	M110 x 2.0	40	1/2"	12.5	60214	60314
90	261	141	M120 x 2.0	40	1/2"	14.0	60215	60315
100	291	165	M140 x 3.0	45	3/4"	14.0	60216	60316
110	301	180	M150 x 3.0	45	3/4"	16.0	60217	60317
120	301	200	M170 x 3.0	45	3/4"	16.0	60240	60340



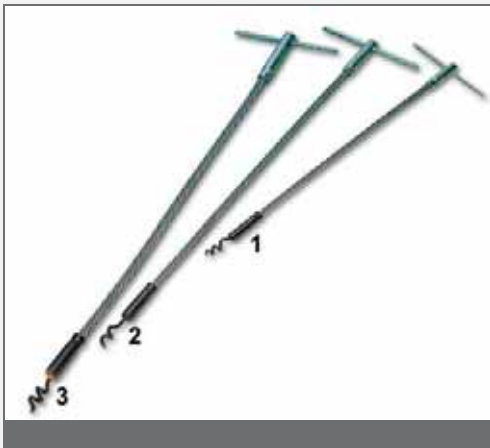


## Rameh Shaft packing

Rameh shaft packing is the ultimate solution for sealing tailshafts, rudder stocks, etc. The packing is manufactured from 100% pure Rameh fibres. Characteristics of this material: does not decay, remains elastic, does not grow hard, little loss of volume, low friction and highly durable.

The maximum allowable temperature is  $\pm 200^{\circ}\text{C}$ .

A (mm)	Shaft diam. (mm)	Per 1000mm Cat. no.	A (mm)	Per 1000mm Cat. no.
8.0	25	66430025	5.0	66410
8.0	30	66430030	6.0	66420
8.0	35	66430035	8.0	66430
8.0	40	66430040	10.0	66440
10.0	45	66440045	11.0	66450
10.0	50	66440050	12.5	66460
10.0	60	66440060	14.0	66470
12.5	70	66460070	16.0	66480
12.5	80	66460080	19.0	66490
14.0	90	66470090	22.0	66500
14.0	100	66470100	25.0	66510
16.0	120	66480120		



## Hollex Packing removers

For easy removal of Rameh packings from Exalto stuffing boxes.

Pos.	For packing	Cat. no.
1	6 and 8 mm	66548
2	10 / 11 / 12.5 mm	66552
3	14 / 16 / 19 mm	66553
-	22 / 25 mm	66554



## Grease lubricated

### Exalto Greaseflexseal

The Exalto greaseflexseals are used with grease lubricated sterngear. The housing is made of high grade composite. Due to the rubber bellow, greaseflexseals are able to absorb both radial and axial movements of the shaft. Therefore the use of a bearing directly mounted after the seal is unnecessary.

N.B: The supply of grease should be realised on the sterntube, for the seal doesn't have its own supply.

Shaft diam. (mm)	D (mm)	S (mm)	L (mm)	Cat. no.
25	45	30	140	75501EX
30	45	30	140	75502EX
35	60	30	150	75503EX
40	60	30	150	75504EX
45	75	35	155	75505EX
50	75	35	155	75506EX
60	90	40	185	75508EX
70	90	40	185	75510EX