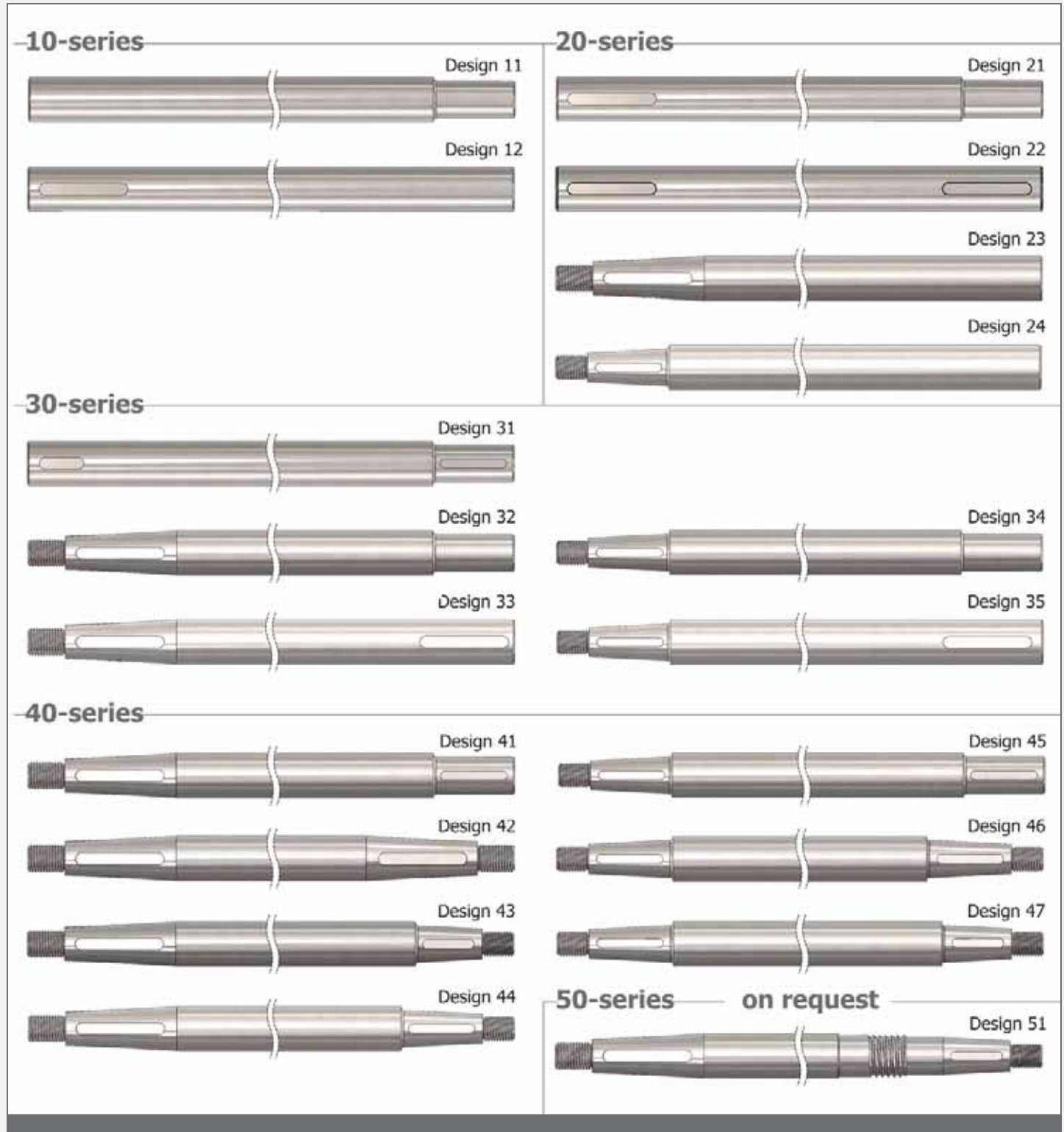


Exalto offers a complete range of standard propeller shafts in various designs. Metric sizes of all models can be supplied in steel C45 or in stainless steel 1.4462. Imperial sizes of all models can be fabricated in stainless steel 316.

Exalto propeller shafts are fully in-house designed and fabricated to a h9 tolerance and straightened to a tolerance of 0.05 mm/m. We can also produce shafts according to a customer-supplied example or drawing. We can produce shafts from Ø 25 mm up to Ø 300 mm and with a maximum length of 11.5 meters. Of course we can also supply with approval of various classification societies, e.g. LR, BV, ABS, DNV, GL, et cetera. Please contact our Sales department Propulsion for delivery times and prices.



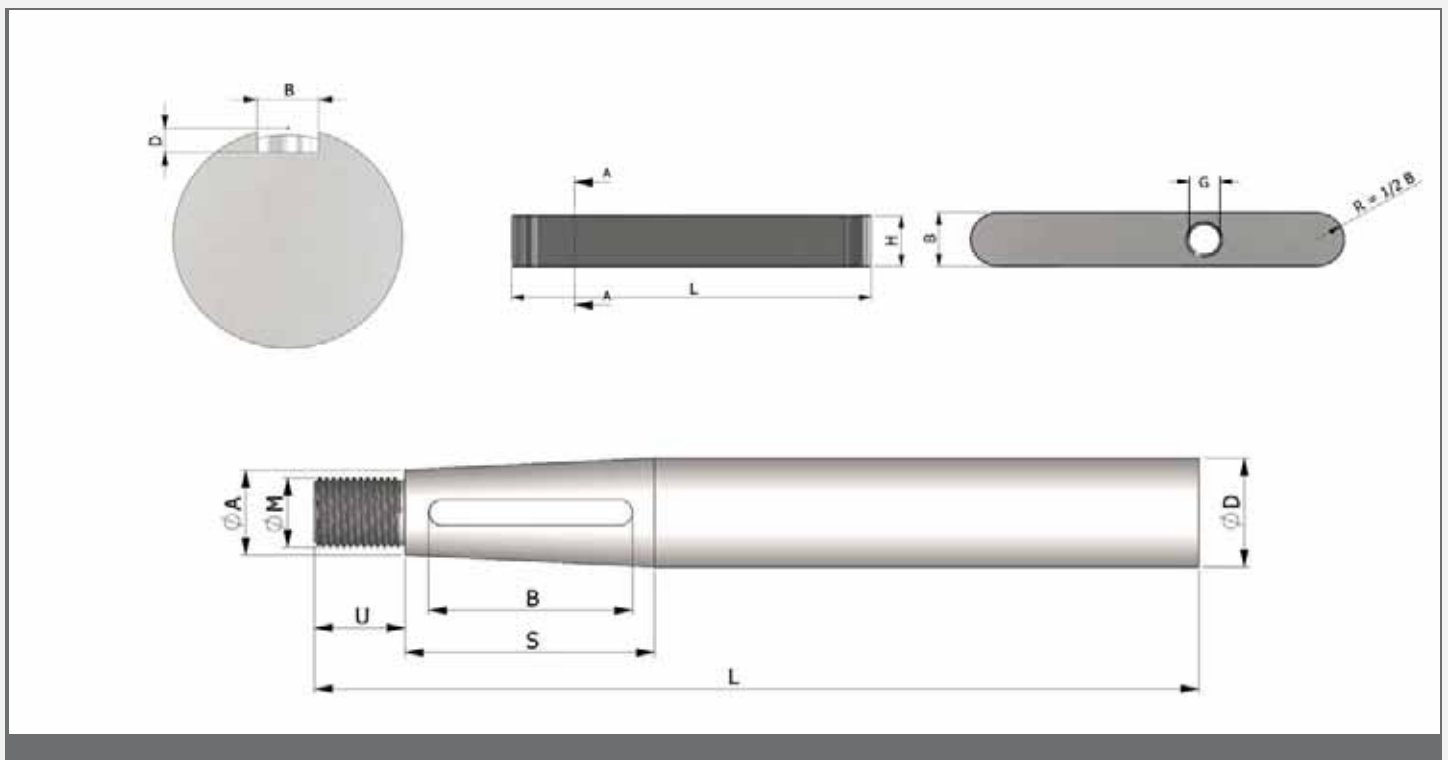
Exalto Shaft type 23 from stock

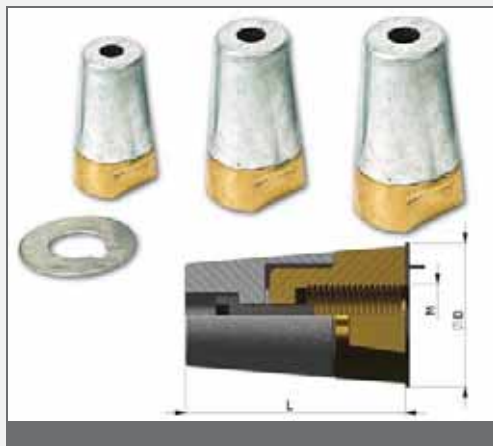
Stainless steel 1.4462

Exalto offers a complete range of propeller shafts directly from stock. The shafts are made of stainless steel 1.4462 with a h9-tolerance and a taper of 1:10. The shafts have a straightness of 0.05 mm/m. These shafts from stock come complete with matching stainless steel 316 key. On these shafts, you can either **use a Hollex brass propeller nut, or an OMM propeller nut with zinc anode**. A propeller nut is not included with the shafts stated in the table below, you will need to order these separately. You can find the mentioned nuts on the next page..

All dimensions in mm.

ØD x L	S	ØA	Keyway (W x D x B)	Key (W x H)	G	ØM	U	Art.code
25 x 1500	55	19,5	6 x 3,5 x 45	6 x 6	M4	M16 x 1,5	20	23446202515060
25 x 1500	65	18,5	6 x 3,5 x 55	6 x 6	M4	M16 x 1,5	20	23446202515070
25 x 2000	55	19,5	6 x 3,5 x 45	6 x 6	M4	M16 x 1,5	20	23446202520060
25 x 2000	65	18,5	6 x 3,5 x 55	6 x 6	M4	M16 x 1,5	20	23446202520070
25 x 2500	55	19,5	6 x 3,5 x 45	6 x 6	M4	M16 x 1,5	20	23446202525060
25 x 2500	65	18,5	6 x 3,5 x 55	6 x 6	M4	M16 x 1,5	20	23446202525070
25 x 3000	55	19,5	6 x 3,5 x 45	6 x 6	M4	M16 x 1,5	20	23446202530060
25 x 3000	65	18,5	6 x 3,5 x 55	6 x 6	M4	M16 x 1,5	20	23446202530070
30 x 1500	75	22,5	8 x 4,5 x 60	8 x 7	M4	M18 x 1,5	25	23446203015080
30 x 2000	75	22,5	8 x 4,5 x 60	8 x 7	M4	M18 x 1,5	25	23446203020080
30 x 2500	75	22,5	8 x 4,5 x 60	8 x 7	M4	M18 x 1,5	25	23446203025080
30 x 3000	75	22,5	8 x 4,5 x 60	8 x 7	M6	M18 x 1,5	25	23446203030080
35 x 1500	85	26,5	10 x 4,5 x 70	10 x 8	M6	M20 x 1,5	25	23446203515090
35 x 2000	85	26,5	10 x 4,5 x 70	10 x 8	M6	M20 x 1,5	25	23446203520090
35 x 2500	85	26,5	10 x 4,5 x 70	10 x 8	M6	M20 x 1,5	25	23446203525090
35 x 3000	85	26,5	10 x 4,5 x 70	10 x 8	M6	M20 x 1,5	25	23446203530090
40 x 3000	95	30,5	12 x 4,5 x 80	12 x 8	M6	M22 x 1,5	25	23446204020100
40 x 3000	112	28,8	12 x 4,5 x 90	12 x 8	M6	M22 x 1,5	30	23446204020120
40 x 3000	95	30,5	12 x 4,5 x 80	12 x 8	M6	M22 x 1,5	25	23446204030100
40 x 3000	112	28,8	12 x 4,5 x 90	12 x 8	M6	M22 x 1,5	30	23446204030120
40 x 4500	95	30,5	12 x 4,5 x 80	12 x 8	M6	M22 x 1,5	25	23446204045100
40 x 4500	112	28,8	12 x 4,5 x 90	12 x 8	M6	M22 x 1,5	30	23446204045120
45 x 3000	112	33,8	14 x 5,5 x 100	14 x 9	M6	M24 x 2,0	35	23446204530120
45 x 4500	112	33,8	14 x 5,5 x 100	14 x 9	M6	M24 x 2,0	35	23446204545120





Propeller nut with zinc anode

Type OES

Supplied complete with zinc anode and stainless steel AISI 316 locking ring. To order spare anodes, please use the catalogue numbers from the last column of the table below.

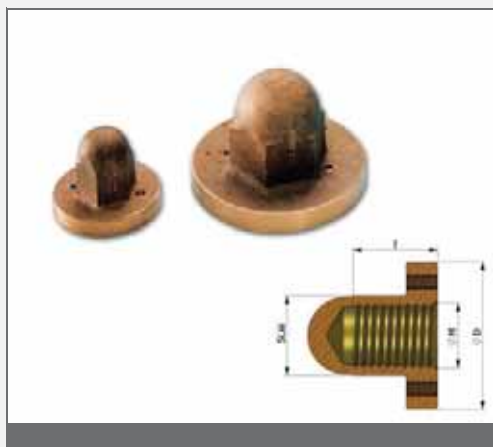
Shaftdiam. (mm)	M	B (mm)	L (mm)	Cat. no. Propeller nut with zinc anode	Cat. No. Anode
25	M16 x 1.5	37	58	OES-25-16P1.5	ZN25
25	M18 x 1.5	37	58	OES-25-18P1.5	ZN25
25	M20 x 1.5	37	58	OES-25-20P1.5	ZN25
30	M18 x 1,5	45	75	OES-30-18P1.5	ZN30
30	M20 x 1,5	45	75	OES-30-20P1.5	ZN30
35	M22 x 1,5	50	87	OES-35-20P1.5	ZN35
35	M24 x 2.0	50	87	OES-35-24P2.0	ZN35
40	M22 x 1.5	55	94	OES-40-22P1.5	ZN40
40	M24 x 1.5	55	94	OES-40-24P1.5	ZN40
40	M24 x 2.0	55	94	OES-40-24P2.0	ZN40
45	M27 x 1.5	65	105	OES-45-27P1.5	ZN45
45	M33 x 2.0	65	105	OES-45-33P2.0	ZN45

Hollex Propeller nuts

Bronze and Ni.Al.Br.

Prices for nuts larger than M42 available on request.

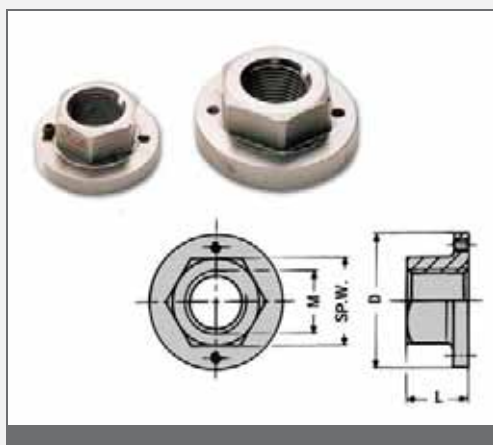
D_g= common shaft diameter.



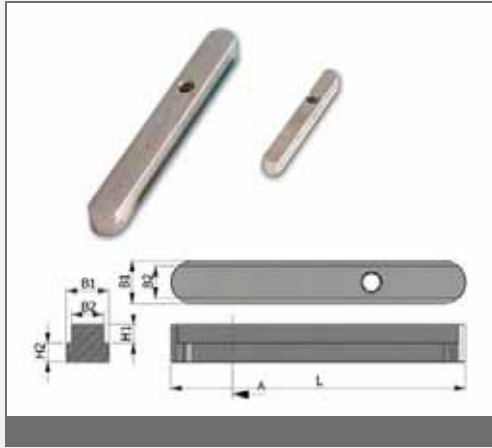
D _{max.} (mm)	D _{min.} (mm)	D _g (mm)	Thread M	L (mm)	SLW (mm)	Cat. no. Bronze	Cat. no. Ni.Al.Br.
30	29	20	M14 x 1.5	20	18	66211	-
36	34	25	M16 x 1.5	20	20	66221	66221.NAB
48	44	30	M18 x 1.5	25	27	66233	66233.NAB
55	47	35	M20 x 1.5	25	30	66238	66238.NAB
65	57	40	M22 x 1.5	25	36	66243	66243.NAB
80	62	45	M24 x 2.0	30	41	66248	66248.NAB
93	73	50	M27 x 2.0	30	46	66253	66253.NAB
110	80	55	M30 x 2.0	35	50	66263	-
122	98	60	M36 x 2.0	35	60	66283	-
135	108	70	M42 x 2.0	40	70	66293	-
150	126		M48 x 3,0	40	80	66313	-
165	136		M56 x 3,0	45	90	66333	-
195	153		M64 x 4,0	45	105	66344	-
225	168		M72 x 4,0	50	120	66349	-
265	200		M80 x 4,0	50	150	66366	-

Hollex Flange nuts

Mild steel



D (mm)	M	L (mm)	Spanner width (mm)	Cat. no.
44	M20 x 1.5	20	27	66810
49	M22 x 1.5	20	30	66815
54	M24 x 2.0	25	36	66820
64	M27 x 2.0	25	41	66830
74	M30 x 2.0	30	46	66841
84	M36 x 2.0	30	50	66851
94	M42 x 2.0	35	60	66861
104	M48 x 3.0	35	70	66866
114	M56 x 3.0	40	80	66871
124	M64 x 4.0	40	90	66881
139	M72 x 4.0	45	105	66891
154	M80 x 4.0	45	120	66901



Hollex Adaptor keys

Stainless steel 316

Hollex keys have a threaded hole, so the key can be easily removed. The size of the thread is shown in the table column G.

B1 / b2 x h x l (mm)	G	H1 (mm)	H2 (mm)	Cat. no.
8 / 6 x 7 x 55	M5	3.60	3.4	63001
10 / 8 x 8 x 90	M6	4.20	3.8	63002
12 / 10 x 8 x 100	M6	4.50	3.5	63003
14 / 12 x 9 x 100	M6	5.50	3.5	63004
16 / 14 x 10 x 100	M6	5.60	4.4	63005
1/4" / 6 x 1/4" x 45	M5	3.35	3.0	63006

Standard keys

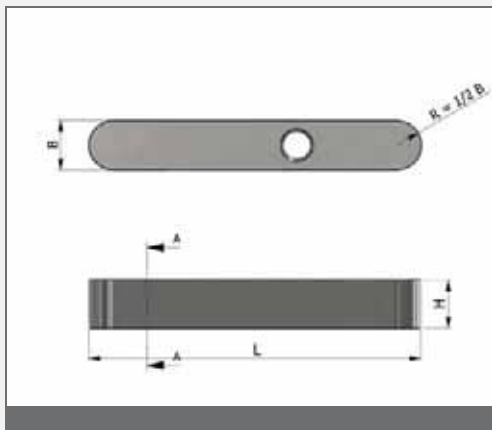


Hollex Keys

Stainless steel 316

Hollex keys have a threaded hole, so the key can be easily removed. The size of the thread is shown in the table column G.

W x h x l (mm)	G	Cat. no	W x h x l (mm)	G	Cat. no
6 x 6 x 40	M4	63009	18 x 11 x 110	M6	631265
6 x 6 x 45	M4	63010	18 x 11 x 120	M6	63126
6 x 6 x 50	M4	63011	18 x 11 x 125	M6	63130
6 x 6 x 55	M4	63012	18 x 11 x 140	M6	63132
8 x 7 x 45	M4	63020	18 x 11 x 150	M6	63134
8 x 7 x 55	M4	63030	18 x 11 x 160	M6	63136
8 x 7 x 60	M4	63031	20 x 12 x 140	M6	63140
8 x 7 x 65	M4	63032	20 x 12 x 150	M6	63142
10 x 8 x 50	M6	63040	20 x 12 x 160	M6	63144
10 x 8 x 60	M6	63039	20 x 12 x 170	M6	63146
10 x 8 x 63	M6	63041	20 x 12 x 180	M6	63148
10 x 8 x 70	M6	63043	22 x 14 x 150	M6	63152
10 x 8 x 80	M6	63044	22 x 14 x 160	M6	63150
10 x 8 x 90	M6	63045	22 x 14 x 180	M6	63151
12 x 8 x 50	M6	63060	22 x 14 x 190	M6	63153
12 x 8 x 60	M6	63061	22 x 14 x 200	M6	63154
12 x 8 x 70	M6	63070	22 x 14 x 210	M6	63156
12 x 8 x 80	M6	63071	25 x 14 x 100	M10	63155
12 x 8 x 90	M6	63080	25 x 14 x 140	M10	63157
12 x 8 x 100	M6	63081	25 x 14 x 180	M10	63160
14 x 9 x 80	M6	63090	25 x 14 x 190	M10	63162
14 x 9 x 90	M6	63095	25 x 14 x 200	M10	63164
14 x 9 x 100	M6	63100	25 x 14 x 210	M10	63166
14 x 9 x 120	M6	63105	25 x 14 x 220	M10	63168
16 x 10 x 80	M6	63110	25 x 14 x 230	M10	63169
16 x 10 x 100	M6	63120	28 x 16 x 200	M10	63170
16 x 10 x 120	M6	63122	32 x 18 x 200	M10	63180
16 x 10 x 140	M6	63124	32 x 18 x 220	M10	63185
			36 x 20 x 260	M10	63190
			40 x 22 x 300	M12	63200





Hollex Keys

Steel C45K

Hollex keys have a threaded hole, so the key can be easily removed. The size of the thread is shown in the table column G.

W x h x l (mm)	G	Cat. no	W x h x l (mm)	G	Cat. no
6 x 6 x 40	M4	63210	18 x 11 x 63	M6	63330
6 x 6 x 45	M4	63211	18 x 11 x 70	M6	63329
8 x 7 x 40	M4	63220	18 x 11 x 80	M6	63331
8 x 7 x 45	M4	63221	18 x 11 x 90	M6	63332
8 x 7 x 50	M4	63230	18 x 11 x 100	M6	63333
8 x 7 x 55	M4	63232	18 x 11 x 110	M6	63335
8 x 7 x 63	M4	63231	18 x 11 x 120	M6	63334
10 x 8 x 40	M6	63240	18 x 11 x 125	M6	63336
10 x 8 x 50	M6	63250	20 x 12 x 80	M6	63340
10 x 8 x 60	M6	63251	20 x 12 x 90	M6	63339
10 x 8 x 63	M6	63260	20 x 12 x 100	M6	63341
10 x 8 x 70	M6	63261	20 x 12 x 140	M6	63342
10 x 8 x 80	M6	63262	22 x 14 x 80	M6	63350
10 x 8 x 90	M6	63263	22 x 14 x 100	M6	63351
12 x 8 x 40	M6	63269	22 x 14 x 150	M6	63352
12 x 8 x 50	M6	63270	22 x 14 x 160	M6	63353
12 x 8 x 60	M6	63271	22 x 14 x 180	M6	63354
12 x 8 x 63	M6	63280	25 x 14 x 80	M10	63360
12 x 8 x 70	M6	63285	25 x 14 x 100	M10	63361
12 x 8 x 80	M6	63286	25 x 14 x 115	M10	63363
12 x 8 x 90	M6	63287	25 x 14 x 120	M10	63364
12 x 8 x 100	M6	63288	25 x 14 x 140	M10	63362
14 x 9 x 50	M6	63290	25 x 14 x 180	M10	63365
14 x 9 x 63	M6	63300	28 x 16 x 110	M10	63370
14 x 9 x 80	M6	63305	28 x 16 x 140	M10	63371
14 x 9 x 90	M6	63306	28 x 16 x 200	M10	63373
14 x 9 x 100	M6	63307	32 x 18 x 110	M10	63380
14 x 9 x 120	M6	63310	32 x 18 x 140	M10	63381
16 x 10 x 50	M6	63319	32 x 18 x 180	M10	63382
16 x 10 x 63	M6	63320	32 x 18 x 200	M10	63383
16 x 10 x 70	M6	63322	32 x 18 x 220	M10	63384
16 x 10 x 80	M6	63321	36 x 20 x 100	M12	63390
16 x 10 x 90	M6	63323	36 x 20 x 160	M12	63391
16 x 10 x 100	M6	63324	36 x 20 x 200	M12	63392
			40 x 22 x 160	M12	63395
			40 x 22 x 200	M12	63396
			40 x 22 x 225	M12	63397

